



TIMING PULLEY

STANDARD PULLEY DIMENSIONS

Transmission Timing Pulley of Gateej



Gateej Engineering Co.

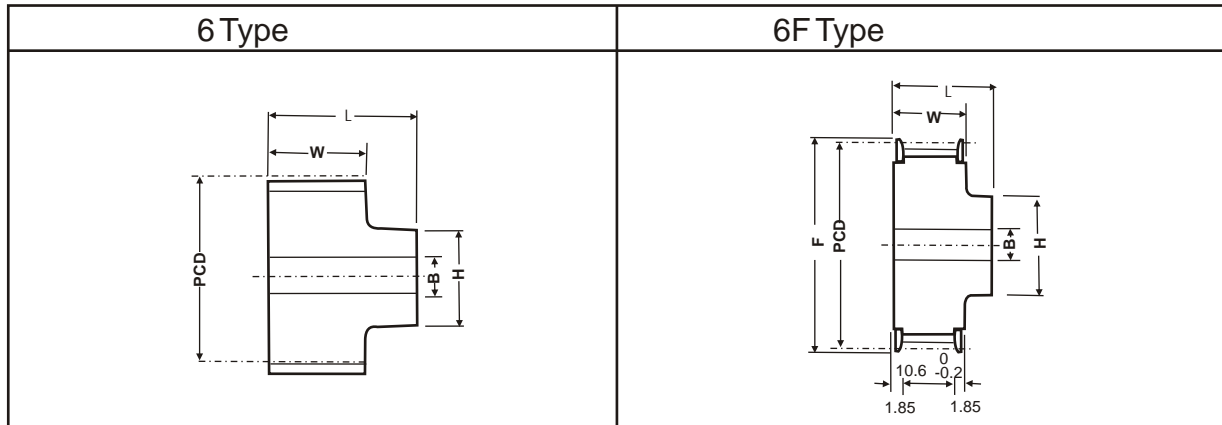
S. No. 50/9/13, Narhe Ambegaon Road, Narhe, Pune 411 041.

Tel.: .+91 20 24392858 Fax : +91 20 24474673

email : amod_71@yahoo.com

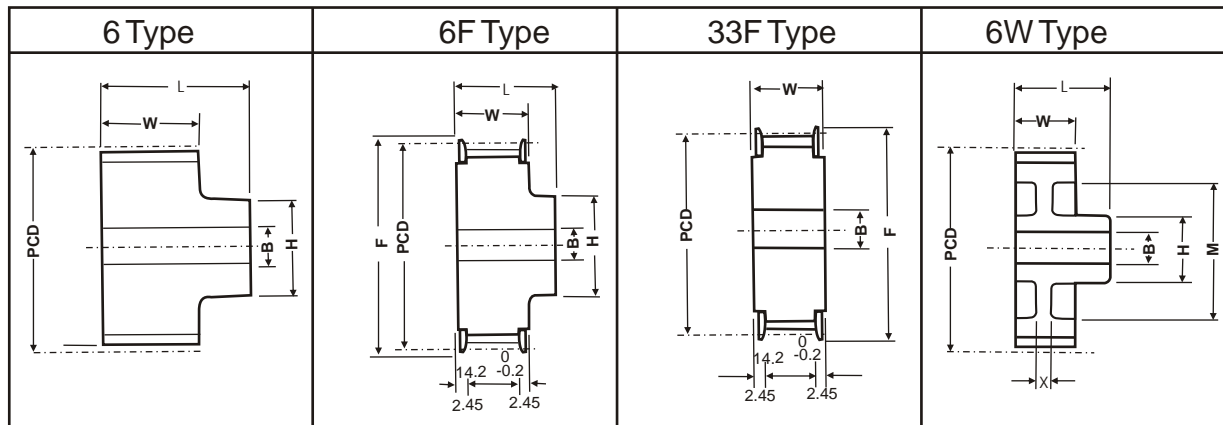
svaishmpayan@yahoo.com

*2. XL037 STANDARD PULLEY DIMENSION



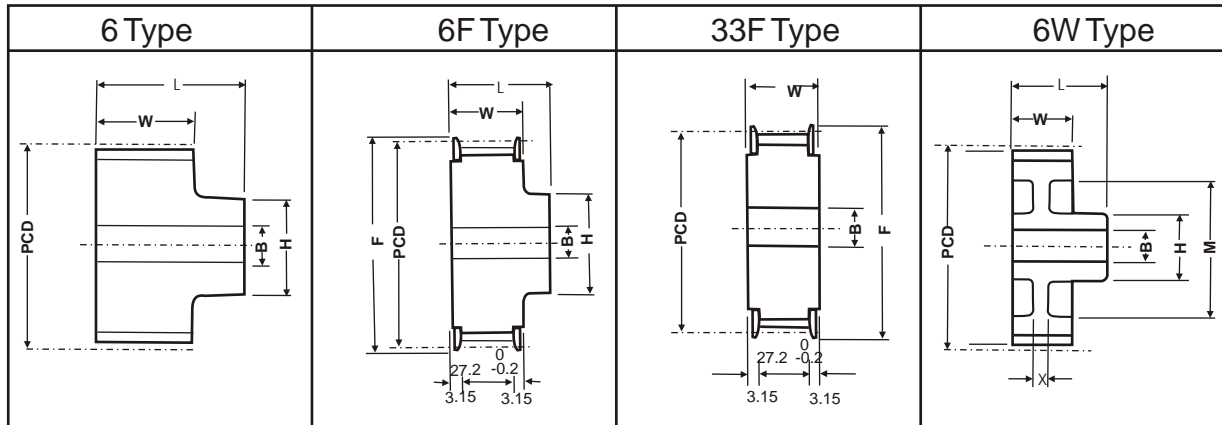
Teeth	Call Sign	From Sign		Size					Unit:mm	
				PCD	W	L	F	H	B _{HB}	
10	10XL037	6	6 F	16.17	14.3	20	24	10.5	5	
11	11XL037		6 F	17.79	14.3	20	24	12	5	
12	12XL037	6	6 F	19.40	14.3	20	25	13	5	
13	13XL037	6 F	21.02	14.3	20	28	14	6		
14	14XL037	6	6 F	22.64	14.3	20	24	10.5	5	
15	15XL037		6 F	24.26	14.3	20	30	16	6	
16	16XL037	6	6 F	25.87	14.3	20	32	17	6	
17	17XL037		6 F	27.49	14.3	20	33	18	7	
18	18XL037	6	6 F	29.11	14.3	20	35	20	7	
19	19XL037	6	6 F	30.72	14.3	20	35	22	8	
20	20XL037	6	6 F	32.34	14.3	22	40	24	8	
21	21XL037	6	6 F	33.96	14.3	22	40	24	8	
22	22XL037	6	6 F	35.57	14.3	22	45	26	8	
23	23XL037		6 F	37.19	14.3	22	45	26	8	
24	24XL037	6	6 F	38.81	14.3	22	45	26	8	
25	25XL037		6 F	40.43	14.3	22	48	26	8	
26	26XL037	6	6 F	42.04	14.3	22	48	28	10	
27	27XL037		6 F	43.66	14.3	22	52	28	10	
28	28XL037	6	6 F	45.28	14.3	22	55	28	10	
29	29XL037		6 F	46.89	14.3	22	55	28	10	
30	30XL037	6	6 F	48.51	14.3	22	55	30	10	
32	32XL037	6	6 F	51.74	14.3	25	58	30	10	
34	34XL037	6	6 F	54.98	14.3	25	61	30	10	
36	36XL037	6	6 F	58.21	14.3	25	67	30	10	
38	38XL037	6		61.45	14.3	25		32	10	
40	40XL037	6		64.68	14.3	25		32	10	
42	42XL037	6		67.91	14.3	25		32	10	
44	44XL037	6		71.15	14.3	25		32	10	
46	46XL037	6		74.38	14.3	25		32	10	
48	48XL037	6		77.62	14.3	25		34	12	
60	60XL037	6		97.02	14.3	25		36	12	
72	70XL037	6		116.43	14.3	25		38	12	

*3. L050 STANDARD PULLEY DIMENSION



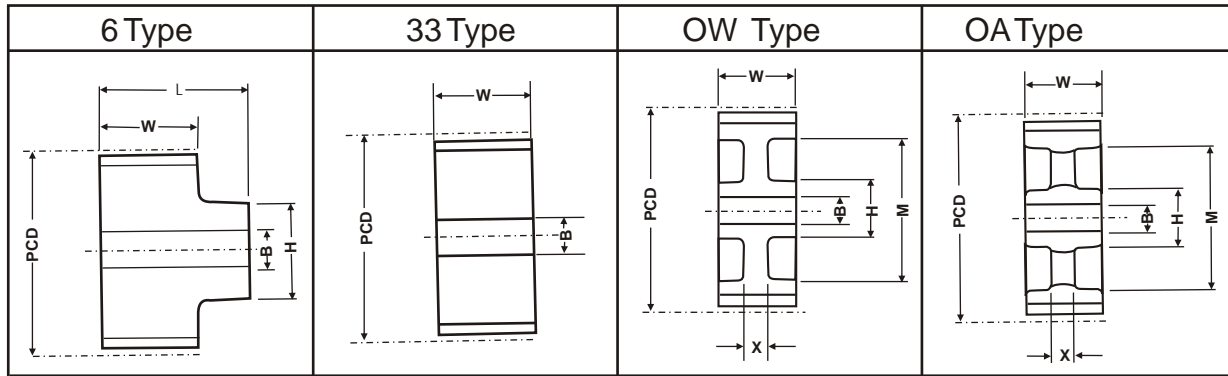
Teeth	Call Sign	From Sign		Size							Unit : mm		
				PCD	W	L	F	H	B _{HB}	X	M		
10	10 L050	6 F	33 F	30.32	19.1	29	35	21	7				
12	12 L050	6 F	33 F	36.38	19.1	32	45	27	8				
14	14 L050	6 F	33 F	42.45	19.1	32	48	30	10				
16	16 L050	6 F	33 F	48.51	19.1	35	55	34	12				
18	18 L050	6 F	33 F	54.57	19.1	35	61	36	12				
19	19 L050	6 F	33 F	57.61	19.1	35	67	37	12				
20	20 L050	6 F	33 F	60.64	19.1	35	67	38	12				
21	21 L050	6 F	33 F	63.67	19.1	37	70	39	12				
22	22 L050	6 F	33 F	66.70	19.1	38	76	40	12				
24	24 L050	6 F	33 F	72.77	19.1	38	83	42	12				
26	26 L050	6 F	33 F	78.83	19.1	38	88	42	12				
28	28 L050	6 F	33 F	84.89	19.1	38	95	44	12				
30	30 L050	6 F	33 F	90.96	19.1	38	99	44	16				
32	32 L050	6		97.02	19.1	41		46	16				
34	34 L050	6		103.08	19.1	41		46	16				
36	36 L050	6		109.15	19.1	41		48	16				
38	38 L050	6		115.21	19.1	41		50	16				
40	40 L050	6		121.28	19.1	41		50	16				
42	42 L050	6		127.34	19.1	41		50	16				
44	44 L050	6 W		133.40	19.1	41		52	16	6	109		
46	46 L050	6 W		139.47	19.1	41		52	16	6	115		
48	48 L050	6 W		145.53	19.1	41		52	16	6	121		
60	60 L050	6 W		181.91	19.1	41		56	16	6	156		
72	72 L050	6 W		218.30	19.1	41		60	20	6	190		

*6. H100 STANDARD PULLEY DIMENSION



Teeth	Call Sign	From Sign		Size						Unit:mm		
				PCD	W	L	F	H	B _{HB}	X	M	
14	14 H100	6 F	33 F	56.60	33.3	49	61	38	12			
16	16 H100	6 F	33 F	64.68	33.3	52	70	46	16			
18	18 H100	6 F	33 F	72.77	33.3	52	78	54	16			
19	19 H100	6 F	33 F	76.81	33.3	54	83	54	16			
20	20 H100	6 F	33 F	80.85	33.3	56	88	56	16			
21	21 H100	6 F	33 F	84.89	33.3	59	95	56	16			
22	22 H100	6 F	33 F	88.94	33.3	59	95	56	16			
24	24 H100	6 F	33 F	97.02	33.3	59	103	58	20			
26	26 H100	6	33 F	105.11	33.3	62	111	60	20			
28	28 H100	6	33 F	113.19	33.3	62	119	60	20			
30	30 H100	6	33 F	121.28	33.3	62	127	62	20			
32	32 H100	6	33 F	129.36	33.3	62	135	62	20			
34	34 H100	6 W		137.45	33.3	62		64	20	9.5	108	
36	36 H100	6 W		145.53	33.3	62		64	20	9.5	116	
38	38 H100	6 W		153.62	33.3	62		66	20	9.5	123	
40	40 H100	6 W		161.70	33.3	62		68	20	9.5	131	
42	42 H100	6 W		169.79	33.3	62		68	20	9.5	138	
44	44 H100	6 W		177.87	33.3	62		70	20	9.5	146	
46	46 H100	6 W		185.96	33.3	62		70	20	9.5	153	
48	48 H100	6 W		194.04	33.3	62		72	20	9.5	161	
60	60 H100	6 W		242.55	33.3	62		78	25	9.5	205	
72	72 H100	6 W		291.06	33.3	62		82	25	9.5	251	

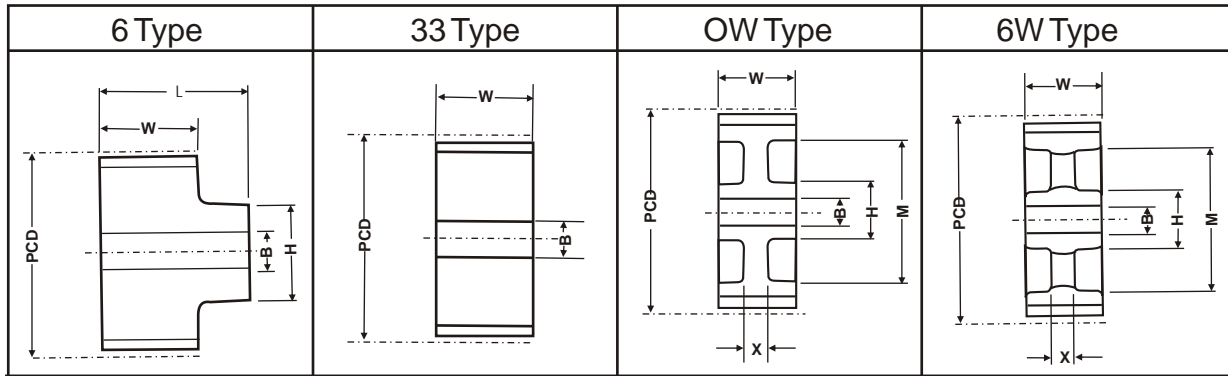
***10. XH200 STANDARD PULLEY DIMENSION (ON REQUEST)**



Flange I.D.(A) 57.0= $\begin{matrix} 0 \\ -0.2 \end{matrix}$

Teeth	Call Sign	From Sign	Size							Unit: mm	
			PCD	W	L	H	B		X	M	
							max	min			
18	18XH200	6	127.34	67	92	96	64	30			
19	19XH200	6	134.41	67	92	96	64	30			
20	20XH200	6	141.49	67	96	98	64	30			
21	21XH200	6	148.56	67	96	98	64	30			
22	22XH200	33	155.56	67			64	30			
24	24XH200	33	169.79	67			67	30			
26	26XH200	33	183.94	67			67	30			
28	28XH200	33	198.08	67			70	30			
30	30XH200	0 W	212.23	67		105	70	30	16	167	
32	32XH200	0 W	226.38	67		105	70	30	16	179	
34	34XH200	0 W	240.53	67		110	73	30	16	192	
36	36XH200	0 W	254.68	67		110	73	30	16	205	
40	40XH200	0 W	282.98	67		115	77	30	16	230	
42	42XH200	0 W	297.13	67		115	77	30	16	243	
44	44XH200	0 W	311.28	67		115	77	30	16	257	
48	48XH200	0 A	339.57	67		120	80	40	16	283	
60	60XH200	0 A	424.47	67		130	87	40		364	
72	72XH200	0 A	509.36	67		135	90	40		445	
80	80XH200	0 A	565.95	67		140	93	40		500	
84	84XH200	0 A	594.25	67		145	97	40		527	
90	90XH200	0 A	636.70	67		150	100	50		568	
96	96XH200	0 A	679.15	67		150	100	50		608	
120	120XH200	0 A	848.93	67		165	110	50		770	

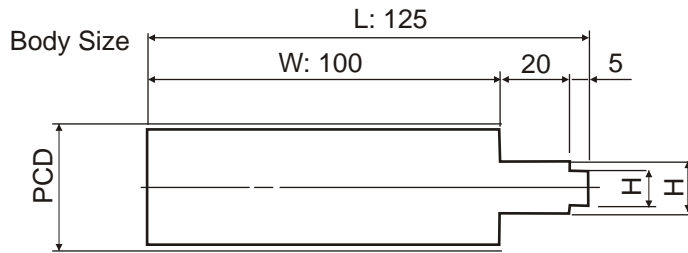
***13. XXH200 STANDARD PULLEY DIMENSION (ON REQUEST)**



Flange I.D.(A) 57.0⁰_{-0.2}

Teeth	Call Sign	From Sign	Size							Unit: mm	
			PCD	W	L	H	B		X	M	
							max	min			
18	18 XXH200	6	181.91	71	100	140	93	40			
19	19 XXH200	6	192.02	71	100	145	97	40			
20	20 XXH200	6	202.13	71	103	150	100	50			
21	21 XXH200	6	212.23	71	103	150	100	50			
22	22 XXH200	6	222.34	71	103	150	103	50			
24	24 XXH200	33	242.55	71			107	50			
26	26 XXH200	33	262.76	71			107	50			
28	28 XXH200	0 W	282.98	71		165	110	50	25	227	
30	30 XXH200	0 W	303.19	71		165	110	50	25	245	
32	32 XXH200	0 W	323.40	71		170	113	50	25	265	
34	34 XXH200	0 W	343.62	71		170	113	50	25	284	
36	36 XXH200	0 W	363.83	71		175	117	50	25	304	
40	40 XXH200	0 W	404.25	71		180	120	60	25	342	
42	42 XXH200	6 W	424.47	71	103	180	120	60		361	
44	44 XXH200	6 W	444.68	71	103	185	123	60		381	
48	48 XXH200	6 W	485.10	71	103	185	123	60		419	
60	60 XXH200	6 W	606.38	71	103	200	133	60		535	
72	72 XXH200	6 W	727.66	71	103	210	140	70		651	
80	80 XXH200	6 W	808.51	71	103	215	143	70		727	
84	84 XXH200	6 W	848.93	71	103	220	147	70		766	
90	90 XXH200	6 W	909.57	71	103	225	150	70		824	

PULLEY DIMENSION FOR HTD BELT 3M

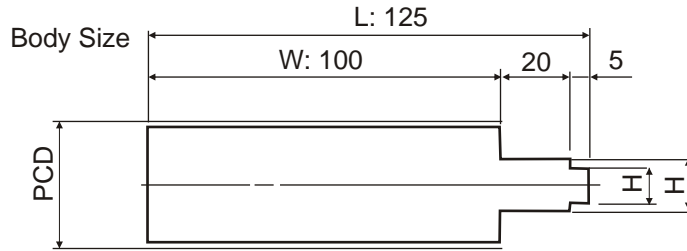


(We have Stock Steel and Aluminum for Flange.)

Teeth	Name Shape	PCD	W	L	H	H	Flange Size		Shape
							F I D	F	
10	P10-3M-100-6	9.55	100	125	6	6	6	13	Round Shape
11	P11-3M-100-6	10.50	100	125	7	6	7	14	Round Shape
12	P12-3M-100-6	11.46	100	125	7	6	7	15	Round Shape
14	P14-3M-100-6	13.37	100	125	10	10	9	17	Round Shape
15	P15-3M-100-6	14.32	100	125	10	10	10	18	Round Shape
16	P16-3M-100-6	15.28	100	125	10	10	11	19	Round Shape
18	P18-3M-100-6	17.19	100	125	10	10	12	21	Round Shape
19	P19-3M-100-6	18.14	100	125	10	10	13	22	Round Shape
20	P20-3M-100-6	19.10	100	125	15	10	14	23	Round Shape
21	P21-3M-100-6	20.05	100	125	15	10	15	24	Round Shape
22	P22-3M-100-6	21.01	100	125	15	10	16	24	Round Shape
24	P24-3M-100-6	22.92	100	125	15	10	18	26	Round Shape
25	P25-3M-100-6	23.87	100	125	15	10	18	27	Round Shape
26	P26-3M-100-6	24.83	100	125	15	10	19	28	Round Shape
28	P28-3M-100-6	26.74	100	125	15	10	21	30	Round Shape
30	P30-3M-100-6	28.65	100	125	15	10	23	32	Round Shape
32	P32-3M-100-6	30.56	100	125	25	12	25	34	Round Shape
36	P36-3M-100-6	34.38	100	125	25	12	29	38	Round Shape
40	P40-3M-100-6	38.20	100	125	25	12	33	42	Round Shape
48	P48-3M-100-6	45.84	100	125	40	20	40	49	Round Shape
60	P60-3M-100-6	57.30	100	125	50	20	52	61	Round Shape

5M

Pulley tolerance of 5M Type are as follow:



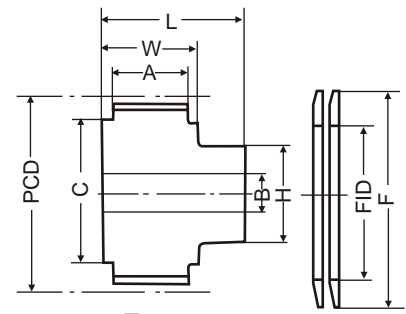
(We have Stock Steel and Aluminum for Flange.)

Teeth	Name Shape	PCD	W	L	H	H	Flange Size		Shape
							F I D	F	
14	P14-5M-100-6	22.28	100	125	15	10	16	26	Round Shape
15	P15-5M-100-6	23.87	100	125	15	10	17	27	Round Shape
16	P16-5M-100-6	25.46	100	125	15	10	19	29	Round Shape
18	P18-5M-100-6	28.56	100	125	15	10	22	32	Round Shape
19	P19-5M-100-6	30.24	100	125	25	12	23	34	Round Shape
20	P20-5M-100-6	31.83	100	125	25	12	24	35	Round Shape
21	P21-5M-100-6	33.42	100	125	25	12	26	37	Round Shape
22	P22-5M-100-6	35.01	100	125	25	12	27	39	Round Shape
24	P24-5M-100-6	38.20	100	125	25	12	30	42	Round Shape
25	P25-5M-100-6	39.79	100	125	25	12	32	43	Round Shape
26	P26-5M-100-6	41.38	100	125	25	12	33	45	Round Shape
28	P28-5M-100-6	44.56	100	125	25	12	36	48	Round Shape
30	P30-5M-100-6	47.75	100	125	40	20	39	51	Round Shape
32	P32-5M-100-6	50.93	100	125	40	20	42	55	Round Shape
36	P36-5M-100-6	57.30	100	125	50	20	49	61	Round Shape
40	P40-5M-100-6	63.66	100	125	50	20	55	67	Round Shape
48	P48-5M-100-6	76.39	100	125	50	20	68	80	Round Shape
60	P60-5M-100-6	95.49	100	125	50	20	87	99	Round Shape

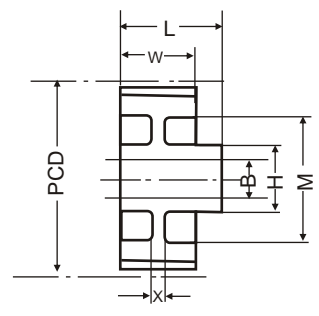
8M

Teeth	Call Sign	Shape	Body size					Flange size	
			PCD	C(h8)	M	H	B (H8)	F I D	F
22	P 2 2 - 8 M	6F	56.02	45 ⁰ _{-0.04}		40	16	45 ^{+0.10} ₀	64
24	P 2 4 - 8 M	6F	61.12	50 ⁰ _{-0.04}		44	16	50 ^{+0.10} ₀	70
25	P 2 5 - 8 M	6F	63.66	52 ⁰ _{-0.05}		46	16	52 ^{+0.12} ₀	72
26	P 2 6 - 8 M	6F	66.21	54 ⁰ _{-0.05}		48	16	54 ^{+0.12} ₀	75
28	P 2 8 - 8 M	6F	71.30	59 ⁰ _{-0.05}		52	16	59 ^{+0.12} ₀	80
30	P 3 0 - 8 M	6F	76.39	64 ⁰ _{-0.05}		56	16	64 ^{+0.12} ₀	85
32	P 3 2 - 8 M	6F	81.49	69 ⁰ _{-0.05}		60	20	69 ^{+0.12} ₀	90
34	P 3 4 - 8 M	6F	86.58	74 ⁰ _{-0.05}		64	20	74 ^{+0.12} ₀	95
36	P 3 6 - 8 M	6F	91.67	79 ⁰ _{-0.05}		68	20	79 ^{+0.12} ₀	100
38	P 3 8 - 8 M	6F	96.77	84 ⁰ _{-0.05}		72	20	84 ^{+0.14} ₀	105
40	P 4 0 - 8 M	6F	101.86	89 ⁰ _{-0.05}		74	25	89 ^{+0.14} ₀	110
44	P 4 4 - 8 M	6F	112.05	99 ⁰ _{-0.05}		78	25	99 ^{+0.14} ₀	121
48	P 4 8 - 8 M	6F	122.23	109 ⁰ _{-0.05}		80	25	109 ^{+0.14} ₀	131
56	P 5 6 - 8 M	6F	142.60	130		86	25	130 ^{+0.16} ₀	151
60	P 6 0 - 8 M	6W	152.79	140 ⁰ _{-0.06} (140.38 ⁰ _{-0.06})	120	88	30	140 ^{+0.16} ₀	161
64	P 6 4 - 8 M	6W	162.97	150 ⁰ _{-0.06} (150.38 ⁰ _{-0.06})	130	92	30	150 ^{+0.16} ₀	172
72	P 7 2 - 8 M	6W	183.35	171 ⁰ _{-0.06} (171.38 ⁰ _{-0.06})	151	94	30	171 ^{+0.16} ₀	192
80	P 8 0 - 8 M	6W	203.72	191 ⁰ _{-0.07} (191.53 ⁰ _{-0.07})	171	98	30	191 ^{+0.19} ₀	212
84	P 8 4 - 8 M	6W	213.90	201 ⁰ _{-0.07} (201.53 ⁰ _{-0.07})	181	98	30	201 ^{+0.19} ₀	223
90	P 9 0 - 8 M	6W	229.18	216 ⁰ _{-0.07} (216.53 ⁰ _{-0.07})	196	100	30	216 ^{+0.19} ₀	238
96	P 9 6 - 8 M	6W	244.46	231 ⁰ _{-0.07} (231.53 ⁰ _{-0.07})	211	102	30	231 ^{+0.19} ₀	253
112	P 1 1 2 - 8 M	6W	285.21	272 ⁰ _{-0.08} (272.55 ⁰ _{-0.08})	252	108	40	272 ^{+0.21} ₀	294

Body size											
8 M - 20				8 M - 30				8 M - 50			
A	W	L	X	A	W	L	X	A	W	L	X
21.7 ⁰ _{-0.02}	28	48		31.7 ⁰ _{-0.02}	38	58		52.7 ⁰ _{-0.02}	59	79	
21.7 ⁰ _{-0.02}	28	48		31.7 ⁰ _{-0.02}	38	58		52.7 ⁰ _{-0.02}	59	79	
21.7 ⁰ _{-0.02}	28	48		31.7 ⁰ _{-0.02}	38	58		52.7 ⁰ _{-0.02}	59	79	
21.7 ⁰ _{-0.02}	28	48		31.7 ⁰ _{-0.02}	38	58		52.7 ⁰ _{-0.02}	59	79	
21.7 ⁰ _{-0.02}	28	48		31.7 ⁰ _{-0.02}	38	58		52.7 ⁰ _{-0.02}	59	79	
21.7 ⁰ _{-0.02}	28	48		31.7 ⁰ _{-0.02}	38	58		52.7 ⁰ _{-0.02}	59	79	
21.7 ⁰ _{-0.02}	28	48		31.7 ⁰ _{-0.02}	38	58		52.7 ⁰ _{-0.02}	59	79	
21.7 ⁰ _{-0.02}	28	48		31.7 ⁰ _{-0.02}	38	58		52.7 ⁰ _{-0.02}	59	79	
21.7 ⁰ _{-0.02}	28	48		31.7 ⁰ _{-0.02}	38	58		52.7 ⁰ _{-0.02}	59	79	
21.7 ⁰ _{-0.02}	28	48		31.7 ⁰ _{-0.02}	38	58		52.7 ⁰ _{-0.02}	59	79	
21.7 ⁰ _{-0.02}	28	48		31.7 ⁰ _{-0.02}	38	58		52.7 ⁰ _{-0.02}	59	79	
21.7 ⁰ _{-0.02}	28	48	8	31.7 ⁰ _{-0.02}	38	58	9	52.7 ⁰ _{-0.02}	59	79	12
21.7 ⁰ _{-0.02}	28	48	8	31.7 ⁰ _{-0.02}	38	58	9	52.7 ⁰ _{-0.02}	59	79	12
21.7 ⁰ _{-0.02}	28	48	8	31.7 ⁰ _{-0.02}	38	58	9	52.7 ⁰ _{-0.02}	59	79	12
21.7 ⁰ _{-0.02}	28	48	8	31.7 ⁰ _{-0.02}	38	58	9	52.7 ⁰ _{-0.02}	59	79	12
21.7 ⁰ _{-0.02}	28	48	8	31.7 ⁰ _{-0.02}	38	58	9	52.7 ⁰ _{-0.02}	59	79	12
21.7 ⁰ _{-0.02}	28	48	8	31.7 ⁰ _{-0.02}	38	58	9	52.7 ⁰ _{-0.02}	59	79	12
21.7 ⁰ _{-0.02}	28	48	8	31.7 ⁰ _{-0.02}	38	58	9	52.7 ⁰ _{-0.02}	59	79	12



6 F Type

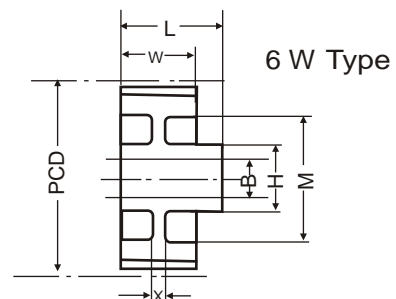
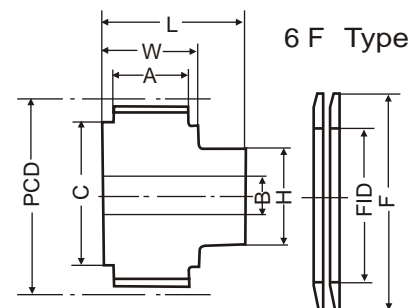


6 W Type

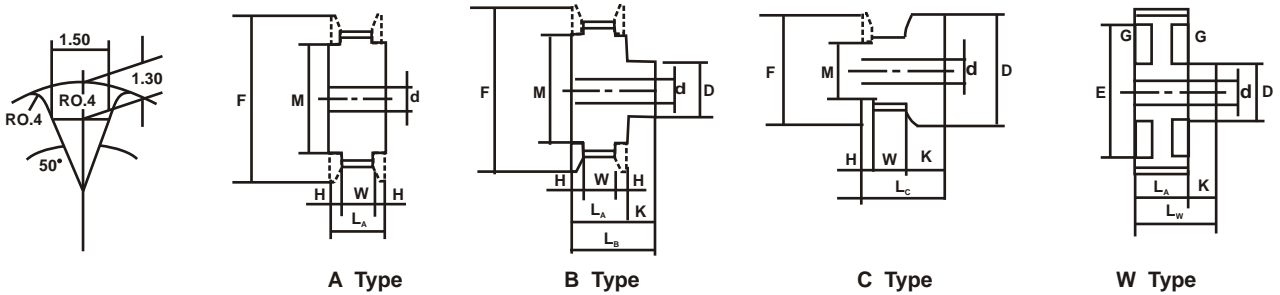
14M

Teeth	Call Sign	Shape	Body size					Flange size	
			PCD	C(h8)	M	H	B (H8)	F I D	F
28	P 2 8 - 14 M	6F	124.78	106 ⁰ _{-0.05}		92	25	106 ^{+0.14} ₀	137
29	P 2 9 - 14 M	6F	129.23	111 ⁰ _{-0.05}		94	25	111 ^{+0.14} ₀	141
30	P 3 0 - 14 M	6F	133.69	115 ⁰ _{-0.05}		96	25	115 ^{+0.14} ₀	146
32	P 3 2 - 14 M	6F	142.60	123 ⁰ _{-0.06}		100	25	123 ^{+0.16} ₀	155
34	P 3 4 - 14 M	6F	151.52	132 ⁰ _{-0.06}		104	25	132 ^{+0.16} ₀	164
36	P 3 6 - 14 M	6F	160.43	140 ⁰ _{-0.06}		108	30	140 ^{+0.16} ₀	173
38	P 3 8 - 14 M	6F	169.34	149 ⁰ _{-0.06}		112	30	149 ^{+0.16} ₀	182
40	P 4 0 - 14 M	6F	178.25	158 ⁰ _{-0.06}		114	30	158 ^{+0.16} ₀	190
44	P 4 4 - 14 M	6F	196.08	176 ⁰ _{-0.05}		118	30	176 ^{+0.16} ₀	208
48	P 4 8 - 14 M	6W	213.90	194 ⁰ _{-0.07} (194.53 ⁰ _{-0.07})		120	30	194 ^{+0.19} ₀	226
56	P 5 6 - 14 M	6W	249.55	229 ⁰ _{-0.07} (229.53 ⁰ _{-0.07})		124	30	229 ^{+0.19} ₀	262
60	P 6 0 - 14 M	6W	267.38	247 ⁰ _{-0.07} (247.53 ⁰ _{-0.07})		128	40	247 ^{+0.19} ₀	280
64	P 6 4 - 14 M	6W	285.21	265 ⁰ _{-0.08} (265.55 ⁰ _{-0.08})		130	40	265 ^{+0.21} ₀	297
72	P 7 2 - 14 M	6W	320.86	301 ⁰ _{-0.08} (301.55 ⁰ _{-0.08})		134	50	301 ^{+0.21} ₀	333
80	P 8 0 - 14 M	6W	356.51	336 ⁰ _{-0.09} (336.56 ⁰ _{-0.09})	120	138	50	336 ^{+0.23} ₀	369
84	P 8 4 - 14 M	6W	374.33	381 ⁰ _{-0.09} (381.56 ⁰ _{-0.09})	130	140	50	354 ^{+0.23} ₀	387
90	P 9 2 - 14 M	6W	401.07	407 ⁰ _{-0.10} (407.01 ⁰ _{-0.10})	151	142	50	381 ^{+0.23} ₀	413
96	P 9 6 - 14 M	6W	427.81		171	146	50	407 ^{+0.25} ₀	440

Body size												
14 M - 40				14 M - 55				14 M - 85				
A	W	L	X	A	W	L	X	A	W	L	X	
42 ⁰ _{-0.02}	50	75		58 ⁰ _{-0.02}	66	91		89 ⁰ _{-0.02}	97	122		
42 ⁰ _{-0.02}	50	75		58 ⁰ _{-0.02}	66	91		89 ⁰ _{-0.02}	97	122		
42 ⁰ _{-0.02}	50	75		58 ⁰ _{-0.02}	66	91		89 ⁰ _{-0.02}	97	122		
42 ⁰ _{-0.02}	50	75		58 ⁰ _{-0.02}	66	91		89 ⁰ _{-0.02}	97	122		
42 ⁰ _{-0.02}	50	75		58 ⁰ _{-0.02}	66	91		89 ⁰ _{-0.02}	97	122		
42 ⁰ _{-0.02}	50	75		58 ⁰ _{-0.02}	66	91		89 ⁰ _{-0.02}	97	122		
42 ⁰ _{-0.02}	50	75		58 ⁰ _{-0.02}	66	91		89 ⁰ _{-0.02}	97	122		
42 ⁰ _{-0.02}	50	75	14	58 ⁰ _{-0.02}	66	91	16	89 ⁰ _{-0.02}	97	122	19	
42 ⁰ _{-0.02}	50	75	14	58 ⁰ _{-0.02}	66	91	16	89 ⁰ _{-0.02}	97	122	19	
42 ⁰ _{-0.02}	50	75	14	58 ⁰ _{-0.02}	66	91	16	89 ⁰ _{-0.02}	97	122	19	
42 ⁰ _{-0.02}	50	75	14	58 ⁰ _{-0.02}	66	91	16	89 ⁰ _{-0.02}	97	122	19	
42 ⁰ _{-0.02}	50	75	14	58 ⁰ _{-0.02}	66	91	16	89 ⁰ _{-0.02}	97	122	19	
42 ⁰ _{-0.02}	50	75	14	58 ⁰ _{-0.02}	66	91	16	89 ⁰ _{-0.02}	97	122	19	
42 ⁰ _{-0.02}	50	75	14	58 ⁰ _{-0.02}	66	91	16	89 ⁰ _{-0.02}	97	122	19	
42 ⁰ _{-0.02}	50	75	14	58 ⁰ _{-0.02}	66	91	16	89 ⁰ _{-0.02}	97	122	19	
42 ⁰ _{-0.02}	50	75	14	58 ⁰ _{-0.02}	66	91	16	89 ⁰ _{-0.02}	97	122	19	
42 ⁰ _{-0.02}	50	75	14	58 ⁰ _{-0.02}	66	91	16	89 ⁰ _{-0.02}	97	122	19	
42 ⁰ _{-0.02}	50	75	14	58 ⁰ _{-0.02}	66	91	16	89 ⁰ _{-0.02}	97	122	19	
42 ⁰ _{-0.02}	50	75	14	58 ⁰ _{-0.02}	66	91	16	89 ⁰ _{-0.02}	97	122	19	



T5 & AT5

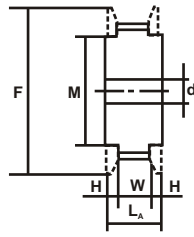
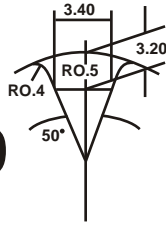


Belt Width for 10 mm

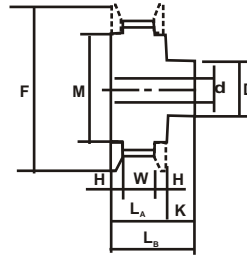
UNIT: mm

Teeth	Shape	Material	PCD	Call Number	L _A	L _B	L _C	L _W	W	H	K	D	d _{min}	max	E	G	Flange(SPCI)		
																	O.D F	I.D M	
12	C	Steel	19.10	GT5-10-12			23		11	2	10	23	5	8			23	12	
14	C		22.28	GT5-10-14			23		11	2	10	26	6	10			26	16	
15	C		23.87	GT5-10-15			23		11	2	10	28	6	14			28	18	
16	B		25.46	GT5-10-16	15	23			11	2	8	16	6	9			28	18	
18	B		28.65	GT5-10-18	15	23			11	2	8	18	6	10			31	20	
20	B		31.83	GT5-10-20	15	23			11	2	8	19	6	11			35	22	
22	B		35.01	GT5-10-22	15	23			11	2	8	25	8	15			40	28	
24	B		38.20	GT5-10-24	15	23			11	2	8	25	8	15			43	28	
25	B		39.79	GT5-10-25	15	23			11	2	8	25	8	15			43	28	
26	B		41.38	GT5-10-26	15	23			11	2	8	30	8	20			47	34	
28	B		44.56	GT5-10-28	15	23			11	2	8	30	8	20			48	36	
30	B		47.75	GT5-10-30	15	23			11	2	8	30	8	20			51	36	
32	A,B		50.93	GT5-10-32	15	23			11	2	10	30	10	20			54	41	
36	A,B		57.30	GT5-10-36	15	23			11	2	10	30	10	20			61	41	
40	A,B		63.66	GT5-10-40	15	23			11	2	10	35	10	25			69	50	
44	W	Casting	70.03	GT5-10-44	15			25			10	35	10	25	57	5			
48	W		76.39	GT5-10-48	15			25			10	35	10	25	63	5			
50	W		79.58	GT5-10-50	15			25			10	35	10	25	66	5			
60	W			95.49	GT5-10-60	15			25			10	35	10	25	82	5		

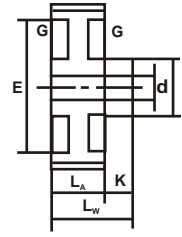
T10 & AT10



A Type



B Type



W Type

Belt Width for 15 mm

UNIT: mm

Teeth	Shape	Material	P.D.	Call Number	L _A	L _B	L _W	W	H	K	D	d _{min}	max	E	G	Flange(SPCI)		
																O.D.F	I.D.M	
12	A,B	Steel	38.20	GT5-15-12	22	32		17	2.5	10	25	8	15			43	28	
14	A,B		44.56	GT5-15-14	22	32		17	2.5	10	30	10	20			47	34	
15	A,B		47.75	GT5-15-15	22	32		17	2.5	10	33	10	22			51	36	
16	A,B		50.93	GT5-15-16	22	32		17	2.5	10	35	10	24			57	41	
18	A,B		57.30	GT5-15-18	22	32		17	2.5	10	37	12	26			61	41	
20	A,B		63.66	GT5-15-20	22	32		17	2.5	10	40	12	28			69	50	
22	A,B		70.03	GT5-15-22	22	32		17	2.5	10	40	12	28			74	53	
24	A,B		76.39	GT5-15-24	22	32		17	2.5	10	40	12	28			83	63	
25	A,B		79.56	GT5-15-25	22	32		17	2.5	10	40	12	28			86	66	
26	A,B		82.76	GT5-15-26	22	32		17	2.5	10	45	12	30			86	66	
28	A,B		89.13	GT5-15-28	22	32		17	2.5	10	45	12	30			93	75	
30	A,B		95.49	GT5-15-30	22	32		17	2.5	10	45	12	30			99	78	
32	A,B		101.86	GT5-15-32	22	35		17	2.5	13	50	14	32			105	84	
36	A,B		114.59	GT5-15-36	22	35		17	2.5	13	50	14	32			118	90	
40	A,B		127.32	GT5-15-40	22	35		17	2.5	13	50	14	32			131	101	
44	W		Casting	140.06	GT5-15-44	22		35			13	55	16	34	120	8		
48	W	152.79		GT5-15-48	22		35				13	55	16	34	132	8		
50	W	159.15		GT5-15-50	22		35				13	60	16	35	140	8		
60	W	190.99		GT5-15-60	22		35				13	60	16	35	170	8		

Belt Width for 25 mm

UNIT: mm

Teeth	Shape	Material	P.D.	Call Number	L _A	L _B	L _W	W	H	K	D	d _{min}	max	E	G	Flange(SPCI)		
																O.D.F	I.D.M	
12	A,B	Steel	38.20	GT5-25-12	22	32		17	2.5	10	25	8	15			43	28	
14	A,B		44.56	GT5-25-14	22	32		17	2.5	10	30	10	20			47	34	
15	A,B		47.75	GT5-25-15	22	32		17	2.5	10	33	10	22			51	36	
16	A,B		50.93	GT5-25-16	22	32		17	2.5	10	35	10	24			57	41	
18	A,B		57.30	GT5-25-18	22	32		17	2.5	10	37	12	26			61	41	
20	A,B		63.66	GT5-25-20	22	32		17	2.5	10	40	12	28			69	50	
22	A,B		70.03	GT5-25-22	22	32		17	2.5	10	40	12	28			74	53	
24	A,B		76.39	GT5-25-24	22	32		17	2.5	10	40	12	28			83	63	
25	A,B		79.56	GT5-25-25	22	32		17	2.5	10	40	12	28			86	66	
26	A,B		82.76	GT5-25-26	22	32		17	2.5	10	45	12	30			86	66	
28	A,B		89.13	GT5-25-28	22	32		17	2.5	10	45	12	30			93	75	
30	A,B		95.49	GT5-25-30	22	32		17	2.5	10	45	12	30			99	78	
32	A,B		101.86	GT5-25-32	22	35		17	2.5	13	50	14	32			105	84	
36	A,B		114.59	GT5-25-36	22	35		17	2.5	13	50	14	32			118	90	
40	A,B		127.32	GT5-25-40	22	35		17	2.5	13	50	14	32			131	101	
44	W		Casting	140.06	GT5-25-44	22		35			13	55	16	34	120	8		
48	W	152.79		GT5-25-48	22		35				13	55	16	34	132	8		
50	W	159.15		GT5-25-50	22		35				13	60	16	35	140	8		
60	W	190.99		GT5-25-60	22		35				13	60	16	35	170	8		